

# SECTION 7




## TERMINAL BLOCKS

Utilux melamine rail mounted terminal blocks offer space saving ease of assembly and efficient termination of conductor sizes from .5mm<sup>2</sup> to 35mm<sup>2</sup> and can be used with bare conductors, pin connectors and lip blade connectors. Rail mounted blocks offer compact space saving advantages as the 7mm or 10mm wide blocks allow each circuit to be confined to that width.

Using any of the range of spring assisted blocks with matching lip blade terminals provides a complete, safe, secure and efficient termination. The Utilux range of components allows bridging of adjacent blocks, partitioning, locking of blocks to rail and marker tags for circuit identification.

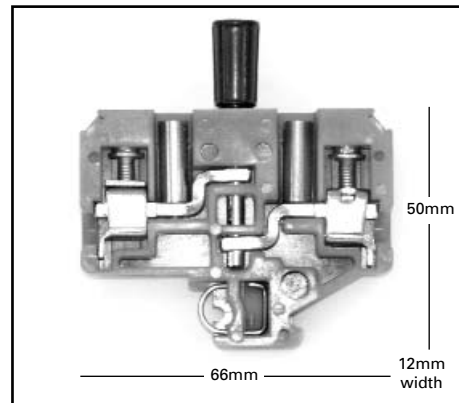
Manufactured from melamine material Utilux rail mounted terminal blocks meet a number of overseas specifications and are used and approved by electricity authorities.

Terminal blocks assembled onto rail and complete with all accessories are available on request.






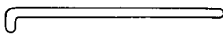


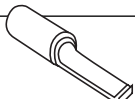
TERMINAL BLOCKS	STYLE	CONDUCTOR SIZE	PAGE
	Standard Rail Mounted	0.5-10mm <sup>2</sup>	58
	Standard Rail Mounted	0.5-12mm <sup>2</sup>	59
	Stud Type Rail Mounted	-	60
FIXED SCREW TERMINALS	STYLE	TYPES	PAGE
	Fixed Screw Terminal Blocks	4-6 way	61
	12 Way Terminal Strip		61
QUICK CONNECT TERMINALS	STYLE		PAGE
	TB Series 20 amp block		62
ORDERING GUIDE			PAGE
	Terminal Configurations & Ordering Guide		62

## STANDARD RANGE RAIL MOUNTED TERMINAL BLOCKS

- Manufactured in melamine • Standard colour orange
- Higher current ratings may be obtained at lower ambients

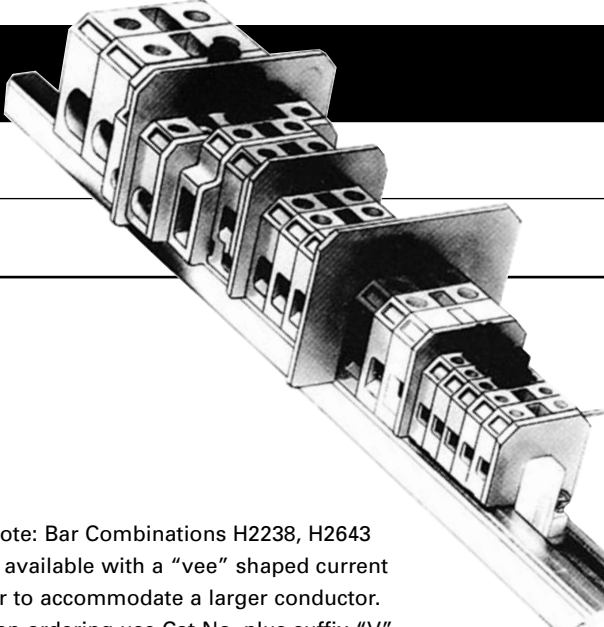


CATALOGUE NO. H2608 Metering Block

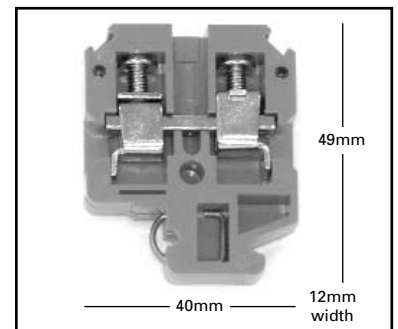
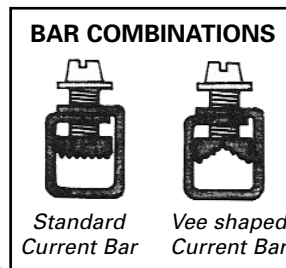
ACCESSORIES		CAT. NO.
Standard End Plate (melamine)		H2609
Partition		H3865
End Clamp (Nylon)		H2232
460mm Mounting Rail		H2233
1 metre Mounting Rail		H2233A
1 metre Locking Pin		H2234A
*Bridging Link		H2633
*Bridging Link H2633 supplied in either 2 holes or 10 holes. Specify Cat. No. H2633-2 or H2633-10,		
Disconnect Plug		H2650
Lip Blade Terminal		H4207, H4208, H4209

## STANDARD RANGE RAIL MOUNTED TERMINAL BLOCKS

- Manufactured in melamine
- Standard colour orange
- Higher current ratings may be obtained at lower ambients





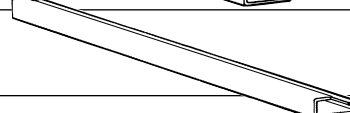
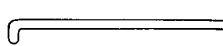
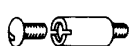

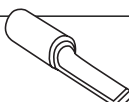


CAT. NO.	RATED AT 600V AC	CONDUCTOR SIZE mm <sup>2</sup>
H2238	48 amps	0.5-10
H2238V	65amps	2.5-12



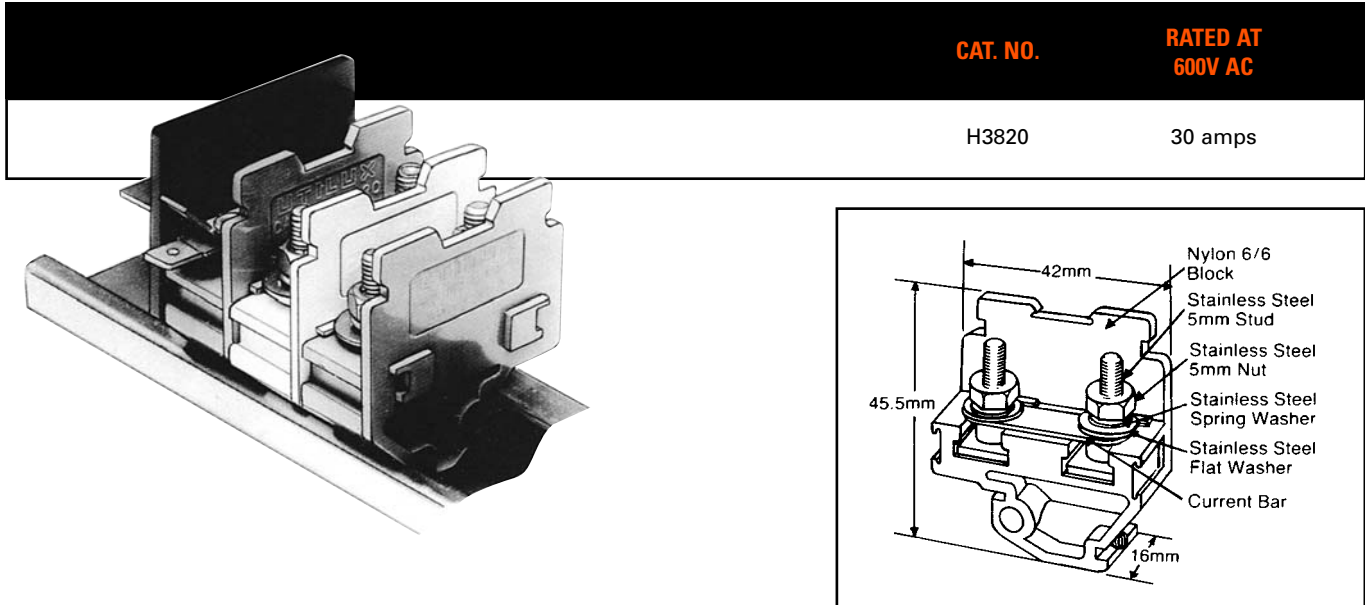
Note: Bar Combinations H2238, H2643 are available with a "vee" shaped current bar to accommodate a larger conductor. When ordering use Cat No. plus suffix "V" eg. H2238V, H2643V

CATALOGUE NO. H2238, H2238V Vee shaped current bar



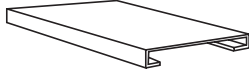

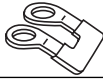
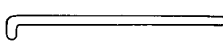


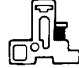
ACCESSORIES		CAT. NO.
Standard End Plate (melamine)		H2239
Partition		H3863
End Clamp (Nylon)		H2232
460mm Mounting Rail		H2233
1 metre Mounting Rail		H2233A
1 metre Locking Pin		H2234A
Link support and screw		H2236M
Bridging Link		H2631
Lip Blade Terminal		H4207, H4208, H4209

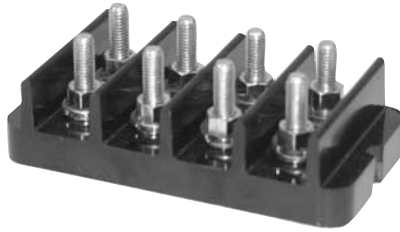
## STUD TYPE RAIL MOUNTED TERMINAL BLOCKS

• A more permanent connection free from loose connections caused by vibration • Being a fixed stud, eye or slotted terminals can be used on wiring to ensure a more positive connection • Voltage – 500V max. conductor 7/1.70mm copper

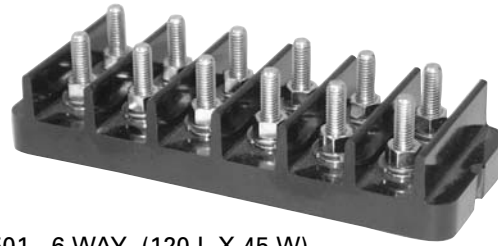
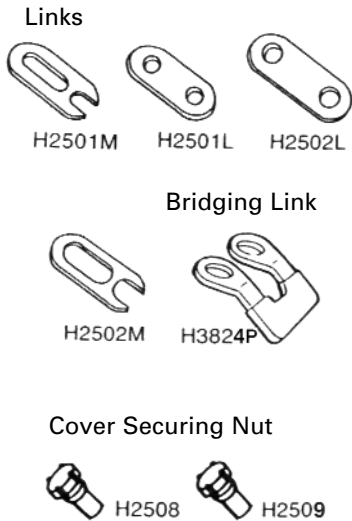


CATALOGUE NO. H3820, Nylon 6/6 120°C, Hardware: Stainless Steel

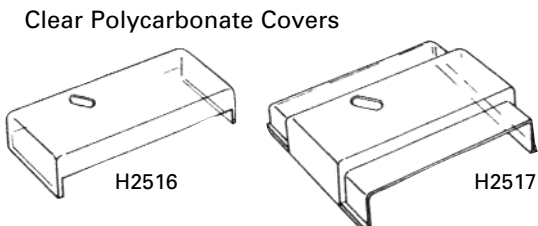
ACCESSORIES		CAT. NO.
End Plate		H3821
Partition		H3868
Cover (standard length 2m)		H3822
Marker Strip		H3823
Bridging Link		H3824P
1 metre Locking Pin		H2234A
460mm Mounting Rail		H2233
1 metre Mounting Rail		H2233A
Nylon End Clamp		H2232

**FIXED SCREW TERMINAL BLOCKS & ACCESSORIES**


H2502 4 WAY (120 L X 45 W)


 H2501 6 WAY (120 L X 45 W)  
 H2511 4 WAY (86 L X 45 W)


TERMINAL BLOCK	TYPE	COMPLETE WITH	AMP RATING AT 600V AC	LINKS	CLEAR POLY. COVERS	COVER SECURING NUT
H2501N	6 way	Brass N/P 6mm studs, nuts, spring & flat washers, H2501M slotted link	80	H2501M slotted	H2516 H2517	H2508 H2508
H2501EN	6 way	Stainless Steel 6mm studs, nuts, spring & flat washers, H2501L solid link	80	H2501L solid	H2516 H2517	H2508 H2508
H2502	4 way	Stainless Steel 5mm studs, nuts, spring washers, H2502L solid link	80	H2502L solid	H2516 H2517	H2509 H2509
H2502E	4 way	Brass N/P 5mm studs, nuts, spring washers, H2502M slotted link	80	H2502M slotted	H2516 H2517	H2509 H2509
H2511N	4 way	Brass N/P 5mm studs, nuts, spring washers, H2501L solid link	80	H2501L solid	-	-


**12 WAY TERMINAL STRIP**

- Melamine body
- Phosphor bronze wire protector to prevent clamping screw from pinching the conductor
- Clamping contact is vibration proof
- May be cut to desired length


 H2519  
 LENGTH 133mm

